

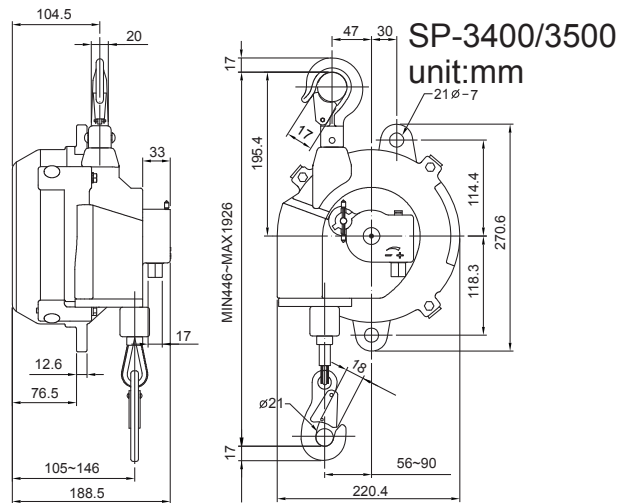
SPRING BALANCER

SP-3400 SP-3500

SPRING BALANCER

2 pieces in one carton

- Spiral design.
- Increasing screw diameter is balanced by increasing spring force so that the output force is balanced and the tool stops at wherever it is pulled.

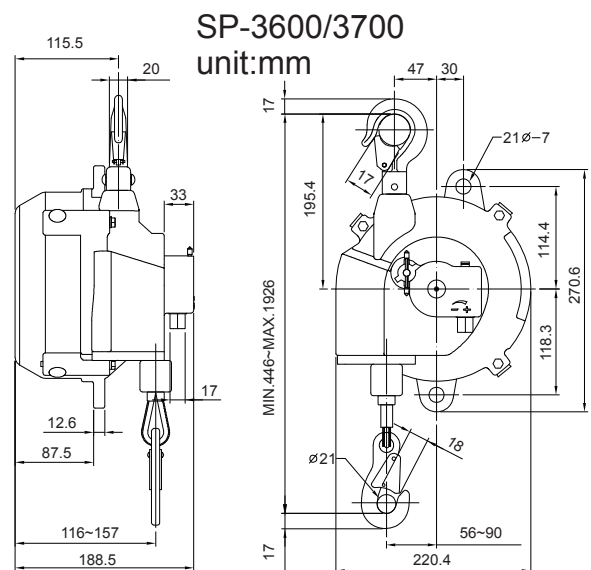


SP-3600 SP-3700

SPRING BALANCER

2 pieces in one carton

- Spiral design.
- Increasing screw diameter is balanced by increasing spring force so that the output force is balanced and the tool stops at wherever it is pulled.



	Capacity Kg	Travel m	Rope	Rope Dia mm	Weight kg
SP-3400	30.0~40.0	1.5	Cable	4.8	9.7
SP-3500	40.0~50.0	1.5	Cable	4.8	10.1
SP-3600	50.0~60.0	1.5	Cable	4.8	11.1
SP-3700	60.0~70.0	1.5	Cable	4.8	11.4

SP-101/102
SP-103/104
SP-105/111
SP-112/113

SPRING BALANCER

30 pieces in one carton



SP-212
SP-213

SPRING BALANCER

30 pieces in one carton



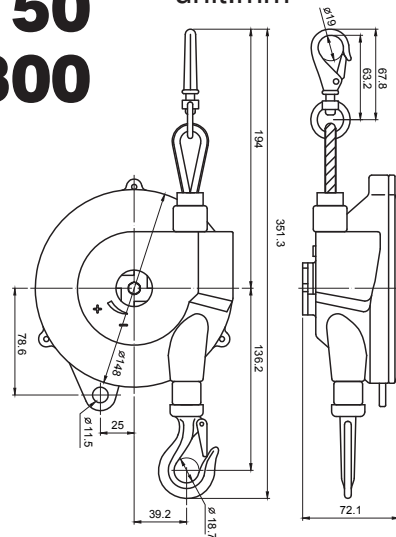
SP-3050/3070
SP-3090/3150
SP-3320/3300

SPRING BALANCER

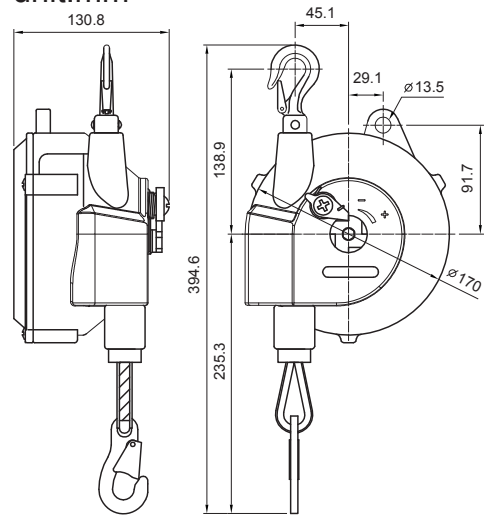
2 pieces in one carton



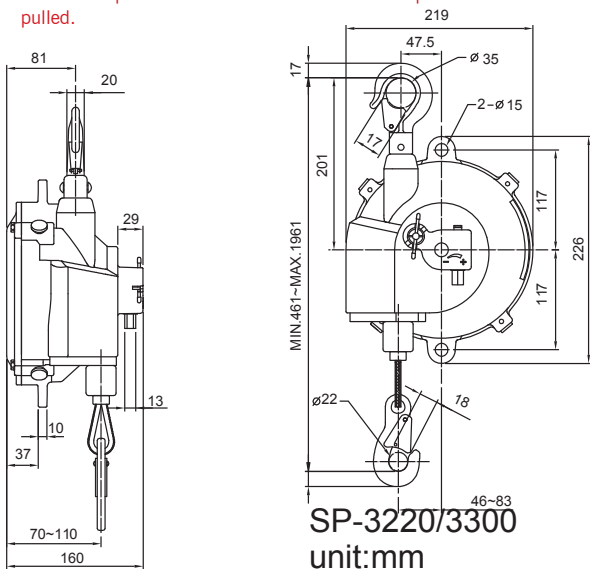
SP-3050-3070
unit:mm



SP-3090-3150
unit:mm



- Spiral design.
Increasing screw diameter is balanced by increasing spring force so that the output force is balanced and the tool stops at wherever it is pulled.



	Capacity Kg	Travel m	Rope	Rope Dia mm	Weight kg
SP-101	0.3~0.8	1.6	Cable	2.5	0.49
SP-102	0.6~1.5	1.6	Cable	2.5	0.52
SP-103	1.0~2.0	1.6	Cable	2.5	0.53
SP-104	1.5~3.0	1.5	Cable	3.2	0.76
SP-105	3.0~5.0	1.5	Cable	3.2	0.81
SP-111	0.3~0.8	1.6	Nylon	2.5	0.49
SP-112	0.6~1.5	1.6	Nylon	2.5	0.52
SP-113	1.0~2.0	1.6	Nylon	2.5	0.53
SP-212	0.3~1.2	1.6	Nylon	4.0	0.57
SP-213	0.8~2.0	1.6	Nylon	4.0	0.57
SP-3050	3.0~5.0	1.3	Cable	3.2	1.82
SP-3070	5.0~7.0	1.3	Cable	3.2	1.85
SP-3090	5.0~9.0	1.3	Cable	4.0	3.59
SP-3150	9.0~15.0	1.3	Cable	4.0	3.61
SP-3220	15.0~22.0	1.3	Cable	4.8	7.7
SP-3300	22.0~30.0	1.3	Cable	4.8	8.3