

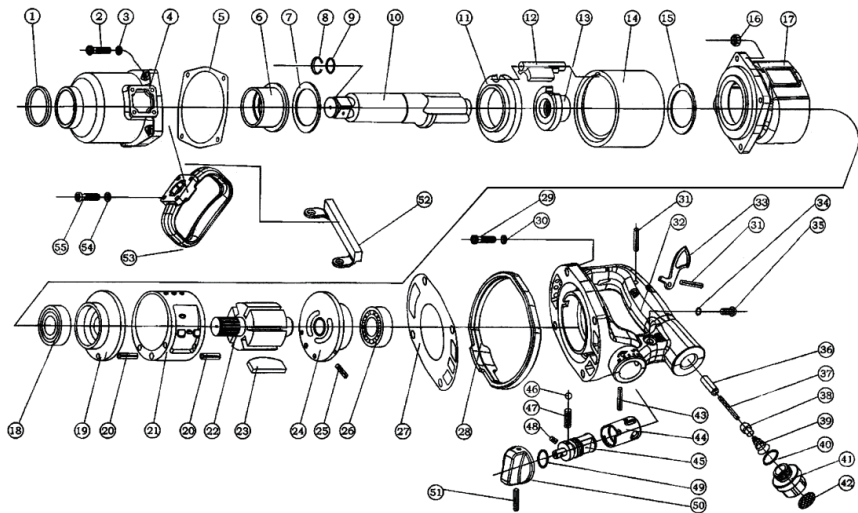


AIR Ratchet Wrench

Item No : NC-8374-8



● The consumable parts ▲ The replacement parts ★ The non-replacement parts



Part List

Twin Hammer Type
NC-8374-8

NO.	PART NO	DESCRIPTION	Q'TY
★	1	NC-8374P01 oil seal	1
★	2	NC-8374T02 screw (4pcs)	1SET
★	3	NC-8374T03 spring washer (4pcs)	1SET
★	4	NC-8374P04 Housing cover	1
▲	5	NC-8374P05 hammer case gasket	1
★	6	NC-8374P06 Anvil Bushing	1
★	7	NC-8374P07 Retainer washer	1
●	8	NC-8374P08 Retainer Ring	1
●	9	NC-8374P09 O-ring	1
★	10	NC-8374T10 8" Anvil (08.09.10)	1SET
●	11	NC-8374P11 hammer cage lining	1
●	12	NC-8374P12 Hammer	1
●	13	NC-8374P13 cam	1
★	14	NC-8374P14 Hammer frame	1
★	15	NC-8374P15 rear washer	1
★	16	NC-8374T16 Screw nut (4pcs)	1SET
★	17	NC-8374P17 housing	1
▲	18	NC-8374P18 Bearing	1
★	19	NC-8374P19 front end plate	1
★	20	NC-8374T20 cylinder pin (2pcs)	1SET
★	21	NC-8374P21 cylinder	1
★	22	NC-8374P22 Rotor	1
●	23	NC-8374T23 Rotor blade (6pcs)	1SET
★	24	NC-8374P24 rear end plate	1
★	25	NC-8374P25 end plate pin	1
▲	26	NC-8374P26 Rear bearing	1
▲	27	NC-8374P27 Rear cover gasket	1
●	28	NC-8374P28 Rear cover ring	1

★	29	NC-8374T29 screw (4pcs)	1SET
★	30	NC-8374T30 spring washer (4pcs)	1SET
★	31	NC-8374P31 trigger pin	1
★	32	NC-8374T32 rear cover (32.36.44)	1SET
★	33	NC-8374P33 trigger	1
▲	34	NC-8374P34 O-ring	1
★	35	NC-8374P35 Screw	1
★	36	NC-8374P36 air inlet bushing	1
★	37	NC-8374P37 air inlet pin	1
▲	38	NC-8374P38 air closer	1
★	39	NC-8374P39 spring	1
▲	40	NC-8374P40 O-ring	1
★	41	NC-8374T41 air inlet (41.42)	1SET
★	42	NC-8374P42 filter	1
★	43	NC-8374P43 reverse valve pin	1
★	44	NC-8374P44 reverse valve bushing	1
★	45	NC-8374T45 Reverse knob(45.48.49.50.51)	1SET
★	46	NC-8374P46 steel ball	1
★	47	NC-8374P47 spring	1
★	48	NC-8374P48 knob limit pin	1
▲	49	NC-8374P49 O-ring	1
★	50	NC-8374P50 knob	1
★	51	NC-8374P51 knob pin	1
★	52	NC-8374P52 housing protecting ring	1
★	53	NC-8374P53 handle	1
★	54	NC-8374T54 spring washer (4pcs)	1SET
★	55	NC-8374T55 screw (4pcs)	1SET