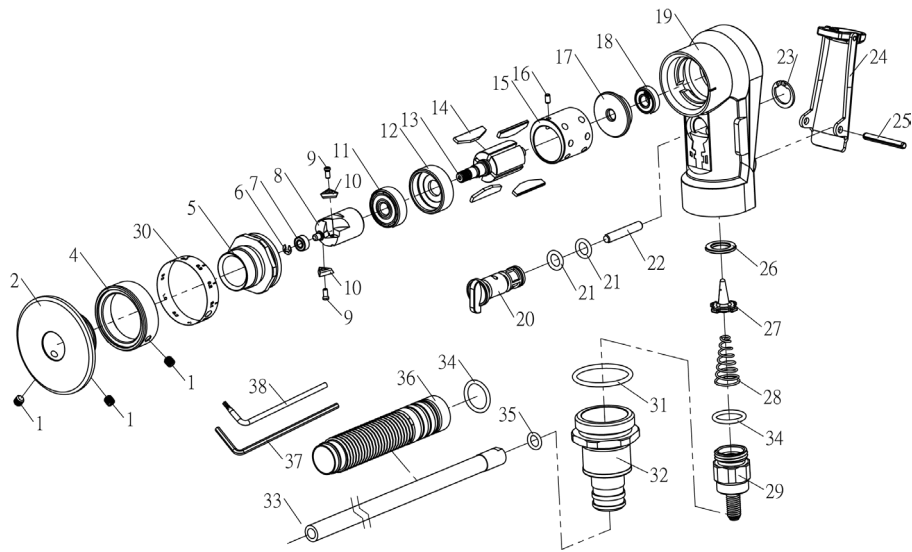




# Air Chamfering Tools

## Item No : QC-512

● The consumable parts ▲ The replacement parts ★ The non-replacement parts



# Part List

Item No : QC-512



NO.	INDEX NO.	DESCRIPTION	Q'TY
★	1	QC-512T01 Set Screw (M4x4) (2 pcs)	1 SET
★	2	QC-512P02 Guide Plate	1
★	3	QC-512P03 Set Screw (M3x4)	1
★	4	QC-512P04 Scale Ring	1
★	5	QC-512P05 Lock Screw	1
★	6	QC-512P06 E-Ring	1
★	7	QC-512P07 Ball Bearing (683zz)	1
★	8	QC-512P08 Shank	1
★	9	QC-512T09 Indexable Insert Set Screw (2 pcs)	1 SET
●	10	QC-512T10 Indexable Insert (2 pcs)	1 SET
▲	11	QC-512P11 Ball Bearing (626zz)	1
★	12	QC-512P12 Front End Plate	1
★	13	QC-512P13 Rotor	1
●	14	QC-512T14 Rotor Blade (4 pcs)	1 SET
★	15	QC-512P15 Cylinder	1
★	16	QC-512P16 Spring Pin (Ø2x4)	1
★	17	QC-512P17 Rear End Plate	1
▲	18	QC-512P18 Ball Bearing (695zz)	1
★	19	QC-512P19 Housing	1
★	20	QC-512P20 Adjust Valve	1

NO.	INDEX NO.	DESCRIPTION	Q'TY
●	21	QC-512T21 O-Ring (ID6.07x1.78) (2 pcs)	1 SET
★	22	QC-512P22 Parallel Pin (Ø4x23.8)	1
★	23	QC-512P23 Retaining Ring	1
★	24	QC-512P24 Lever Ass'y	1
★	25	QC-512P25 Spring Pin (Ø3x25)	1
★	26	QC-512P26 Washer	1
★	27	QC-512P27 Valve	1
★	28	QC-512P28 Valve Spring	1
★	29	QC-512P29 Connection	1
★	30	QC-512P30 Label	1
●	31	QC-512P31 O-Ring (ID24.5x2)	1
★	32	QC-512P32 Hose Holder	1
★	33	QC-512P33 Air Hose Ass'y	1
●	34	QC-512T34 O-Ring (ID12.42x1.78) (2 pcs)	1 SET
●	35	QC-512P35 O-Ring (ID5.5x1.5)	1
★	36	QC-512P36 Exhaust Hose	1
★	37	QC-512P37 Hex. Wrench	1
★	38	QC-512P38 Spanner	1